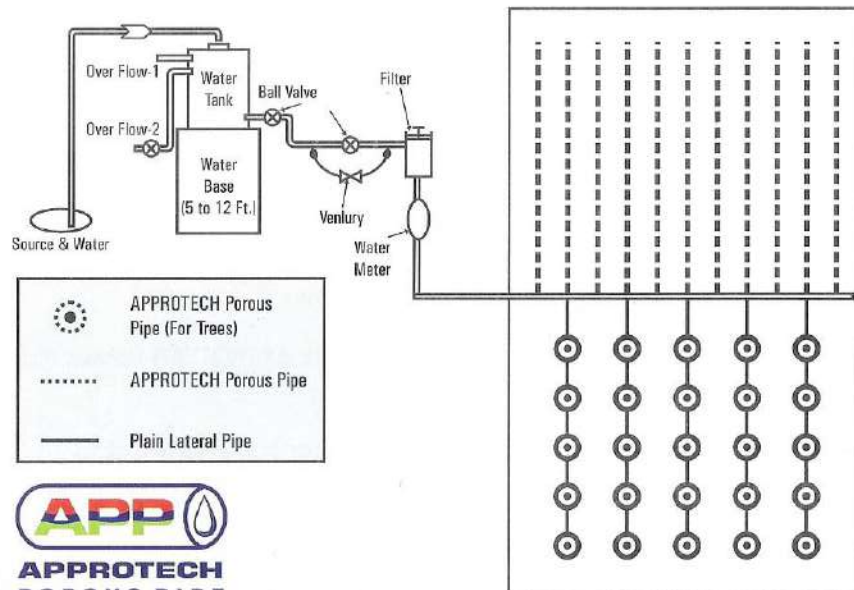




Approtech Porous Pipe Installation Lay-Out



Distributor/Dealer :



APPROTECH Porous Pipe Sub - Surface Irrigation

Save Water, Energy, Fertilizer and Labour Cost up to 70%.



APPROTECH POROUS PIPE

Surat : 101, Shantiniketan Soc., Sumul Dairy Rd., Ph. 0261-2543272, M.: +91 9377204060

Vadodara : 16, Samruddhi Soc., Nr. Manisha Chocokdi, Aavishkar Complex, Old Padra Rd., Ph.: 0265-2354445/7820004062

Reg. Off : P. O. Box: 2537, Vadodara

Contact No.: +91 78200 04060 / 98795 05939

e-mail : mehul@approtech.co.in / naitik@approtech.co.in



**Adopt Most Modern
APP – SSI System**

**Save Water, Energy, Fertilizer
and Labour Cost up to 70%.**

- APPROTECH Porous Pipe is made from Recycled Rubber & Plastic Polymers. APPROTECH Porous Pipe should be placed 8" to 12" Sub – Surface (depending on type of soil).
- APPROTECH Porous Pipe is a low flow/ low pressure system to introduce moisture to the soil at a rate that allows the soil to absorb the water at its natural pace.
- APPROTECH Porous Pipe maintains appropriate moisture in the soil, thus helping the extensive root zone development, eliminating Dry and Wet cycle.
- Through APPROTECH Porous Pipe, desired micro nutrients and fertilizers (water soluble fertilizers) can be made available directly to the root zone to increase productivity.
- APPROTECH Porous Pipe is a Sub – Surface Irrigation (SSI) System, hence in comparison to surface applied water, evaporation loss/run – off and salt deposition is negligible.
- APPROTECH Porous Pipe Sub – Surface Irrigation (SSI) System eliminates soil erosion.
- APPROTECH Porous Pipe Sub – Surface Irrigation (SSI) System does not need to be removed and re-laid during Plantation, Inter – Cultivation, before/After Harvest, unlike other Micro Irrigation Systems.



- There is no man power required to operate APPROTECH Porous Pipe Sub – Surface Irrigation (SSI) System.

* (By using APPROTECH Porous Pipe Sub – Surface Irrigation (SSI) System as per our guidance)



**All the types of crops can be grown using
APPROTECH Porous Pipe Sub – Surface Irrigation (SSI) System,
such as:**

- **Farm crops :** Sugarcane, Banana, Papaya, Cotton, Groundnut, Egg Plant, Tomato, Castor, Potato, Kasava etc and all other Vegetables crops.
- **Horticulture crops :** Mango, Chickoo, Lemon, Bor, Fig, Amla, Guava, Coconut, Date, Dried Date, Grapes, Custard Apple, Coffee, Tea, Cocoa, Jojoba, Pineapple etc.
- Lawn & gardens - Landscape

Features of APPROTECH Porous Pipe Sub – Surface Irrigation (SSI) System

- Weeds, Diseases and Pest which occur due to Surface watering is reduced up to 70%.
- Functional Life Expectancy of 25*
- There is no possibility of clogging of APPROTECH Porous Pipe due to salt presence in water.
- APPROTECH Porous Pipe is not damaged by Boars, Rats, Dogs, Nilgai, Fire etc as it is applied in the Sub – Surface.
- Using APPROTECH Porous Pipe more than 100 Acres can be irrigated at the same time (with availability of adequate water flow).